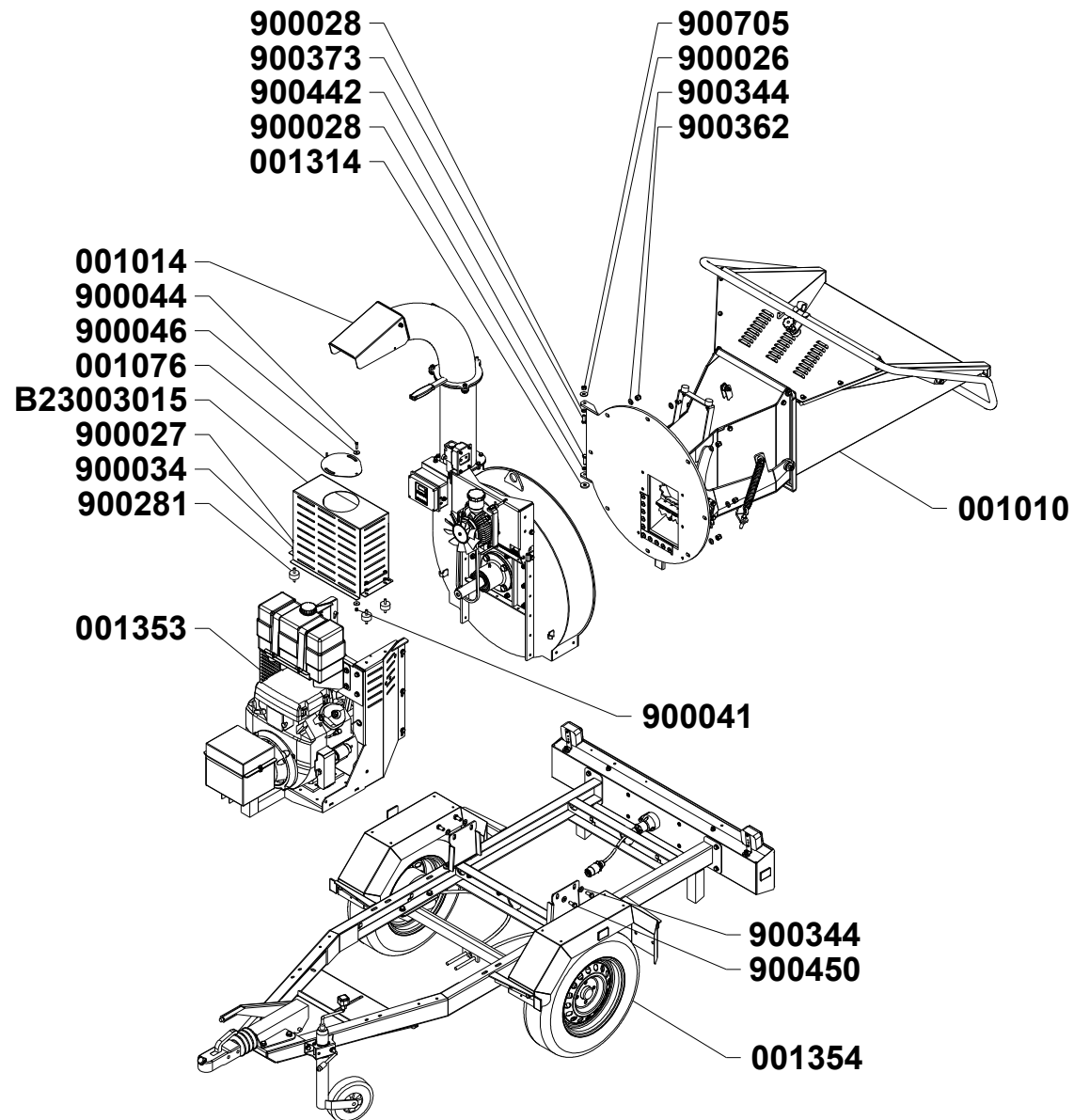


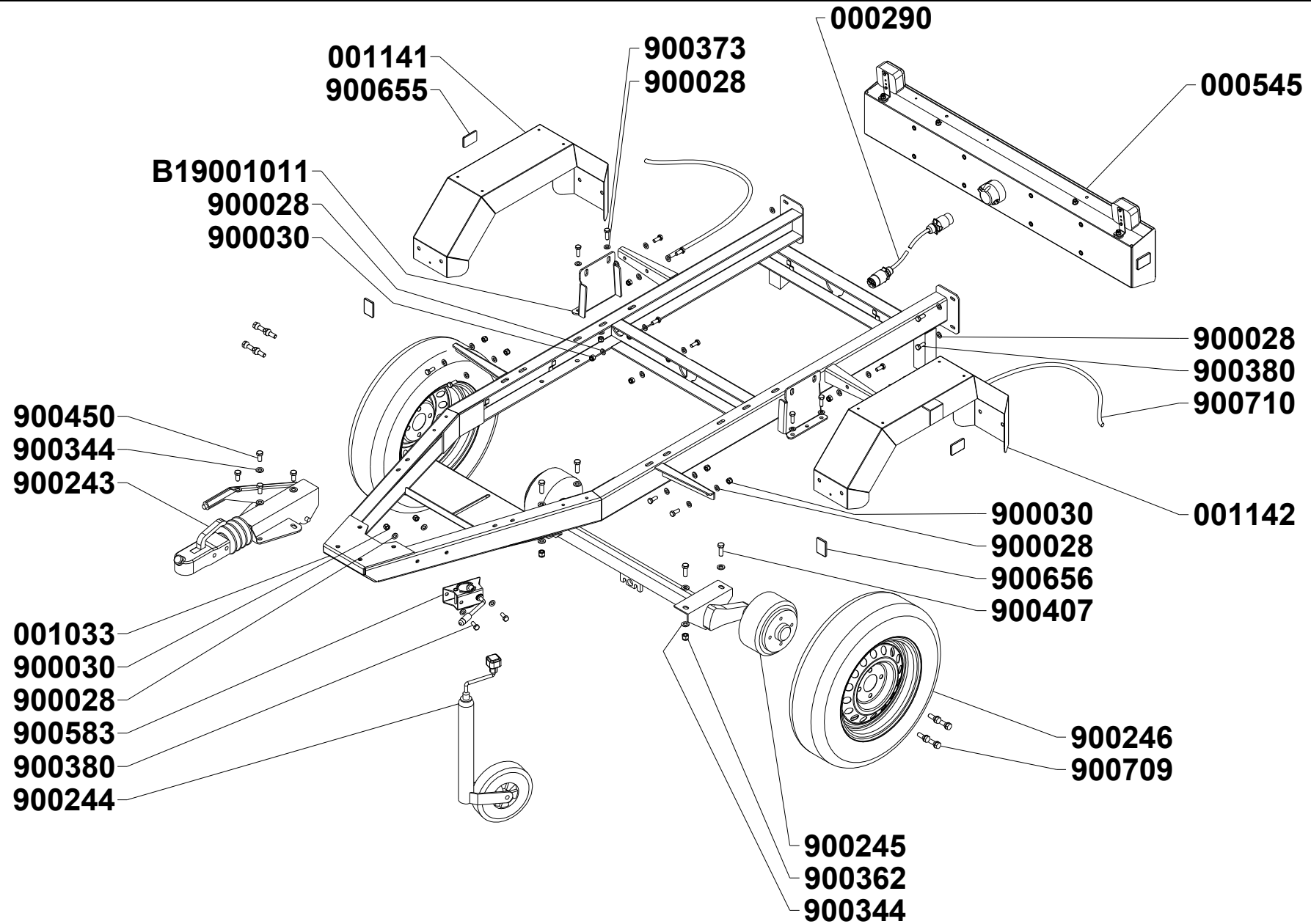
**Bio 235 B****TAB. 1 – Petrol machine Assembly**

Pos.	Description	No.	Code
1	Road trailer 80 Km/H (TAB. 2)	1	001354
2	Hopper Assembly (TAB. 4)	1	001010
3	Engine & transmission Assembly (TAB.9)	1	001353
4	Self lock nut M12	8	900362
5	Washer ø12x24	12	900344
6	Washer ø10x30	1	900026
7	Nut M10	1	900705
8	Washer ø10x20	2	900028
9	Screw TE M10x30	1	900373
10	Screw TE M10x35	1	900442
11	Washer ø30X10,5X5	1	001314
12	Chipper box Assembly (TAB. 11)	1	001014
13	Screw TE M6x25	1	900044
14	Washer ø6x18	2	900046
15	Hydraulic tank cover	1	001076
16	Pump cover	1	B23003015
17	Self lock nut M8	4	900027
18	Washer ø8x16	4	900034
19	Rubber feet ø40x20 2 M8 M	4	900281
20	Self lock nut M6	1	900041
21	Screw TE M12x25	4	900450



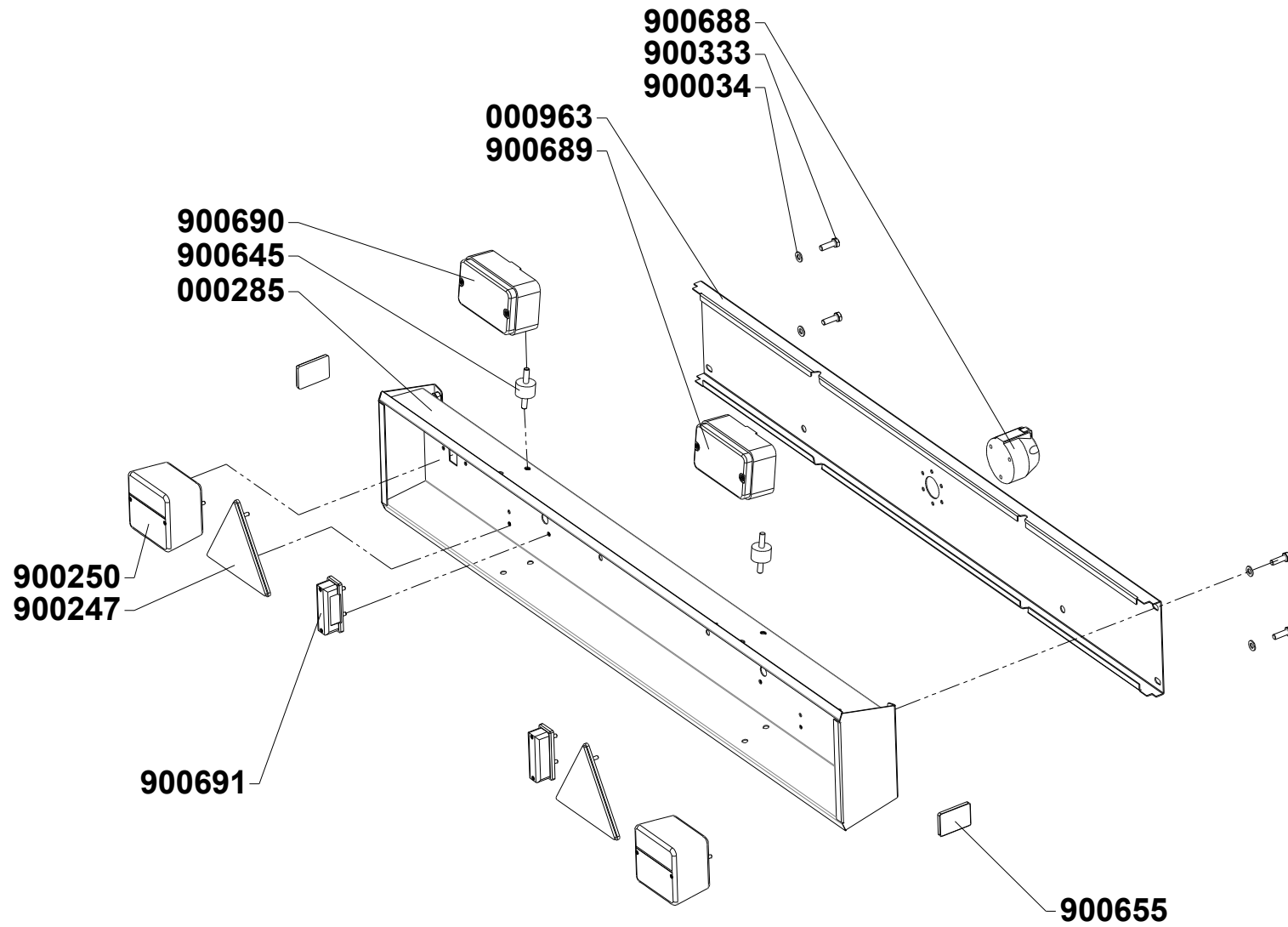
**Bio 235 B****TAB. 2 – Road trailer 80 Km/H**

Pos.	Description	No.	Code
1	Chassis	1	001033
2	Axle 850 Kg	1	900245
3	Towing coupler	1	900243
4	Jockey wheel support	1	900583
5	Jockey wheel ø48	1	900244
6	Washer ø12x24	12	900344
7	Screw TE M12x25	4	900450
8	Washer ø10x20	36	900028
9	Self lock nut M10	16	900030
10	Screw TE M10x25	16	900380
11	Self lock nut M12	4	900362
12	Screw TE M12x35	4	900407
13	Screw TE M12 for wheels	8	900709
14	Screw TE M10x30	4	900373
15	Wiring cable Assembly	1	000290
16	Brake cable	2	900710
17	Right Mudguard	1	001141
18	Left Mudguard	1	001142
19	Wheel 145/80 R13	2	900246
20	Lighting bar Assembly (TAB. 3)	1	000545
21	Side reflector	2	900655
22	Front reflector	2	900656
23	Machine support	2	B19008011



**Bio 235 B****TAB. 3 – Lighting bar Assembly**

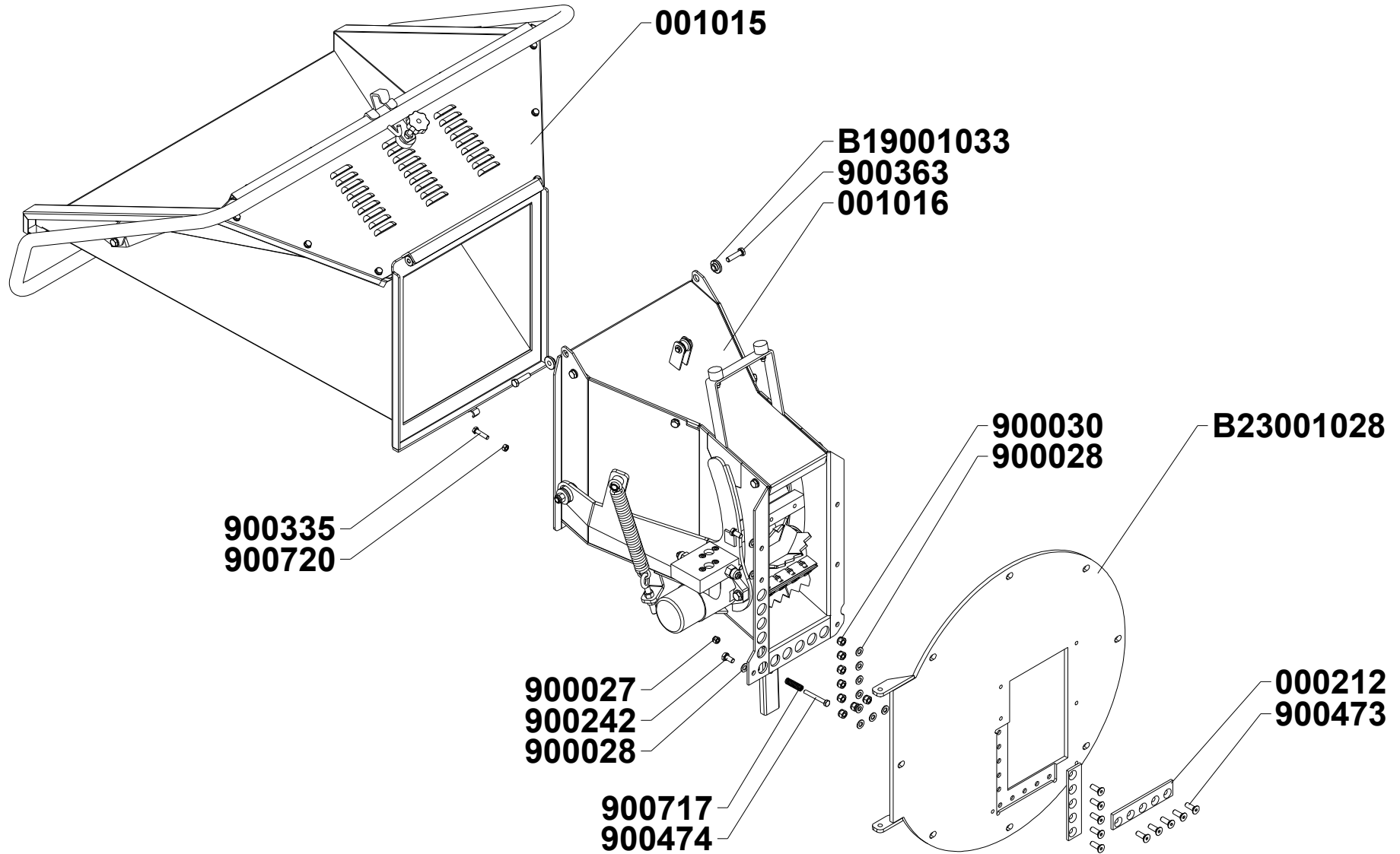
Pos.	Description	No.	Code
1	Bar casing	1	000963
2	Bar lighting	1	000285
3	Rear reflector	2	900247
4	Lighting box	2	900250
5	Light plate	2	900691
6	Washer ø8x16	4	900034
7	Screw TE M8x25	4	900333
8	Electrical outlet	1	900688
9	Rubber foot ø40x20 2x M8 M	2	900645
10	Light reverse	1	900689
11	Light fog	1	900690
12	Side reflector	2	900655



**Bio 235 B****TAB. 4 – Hopper & feed roller Assembly**

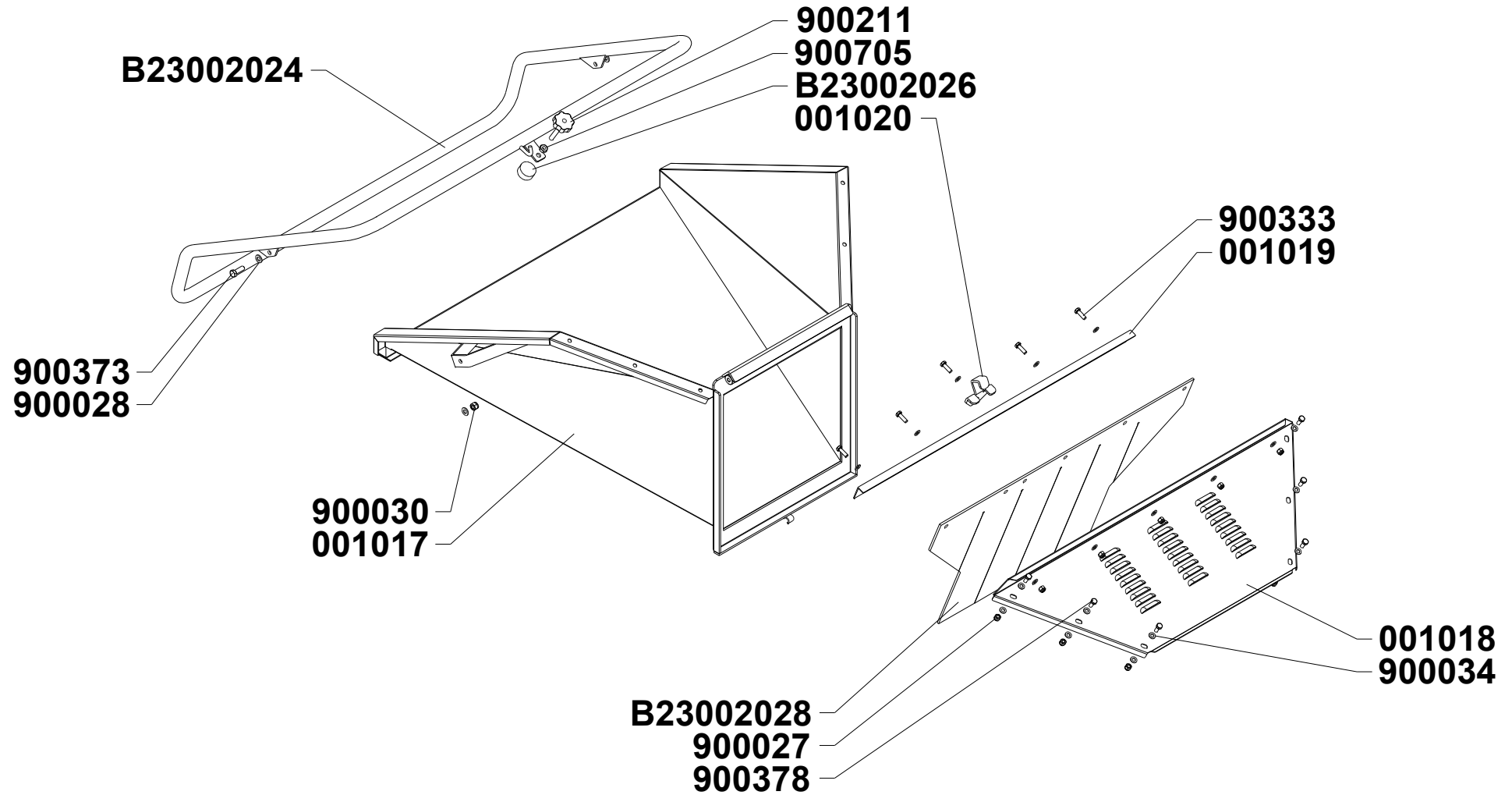
Pos.	Description	No.	Code
1	Hopper Assembly (TAB. 5)	1	001015
2	Feed roller box Assembly (TAB. 6)	1	001016
3	Lock	2	B19001033
4	Screw TE M10x40	2	900363
5	Nut M8	2	900720
6	Screw TE M8x35	1	900335
7	Screw TE M8x65	1	900474
8	Self lock nut M8	1	900027
9	Spring	1	900717
10	Flange	1	B23001028
11	Counter blade	2	000212
12	Washer ø10x20	16	900028
13	Screw TE M10x20	6	900242
14	Self lock nut M10	10	900030
15	Screw TSPEI M10x30	10	900473





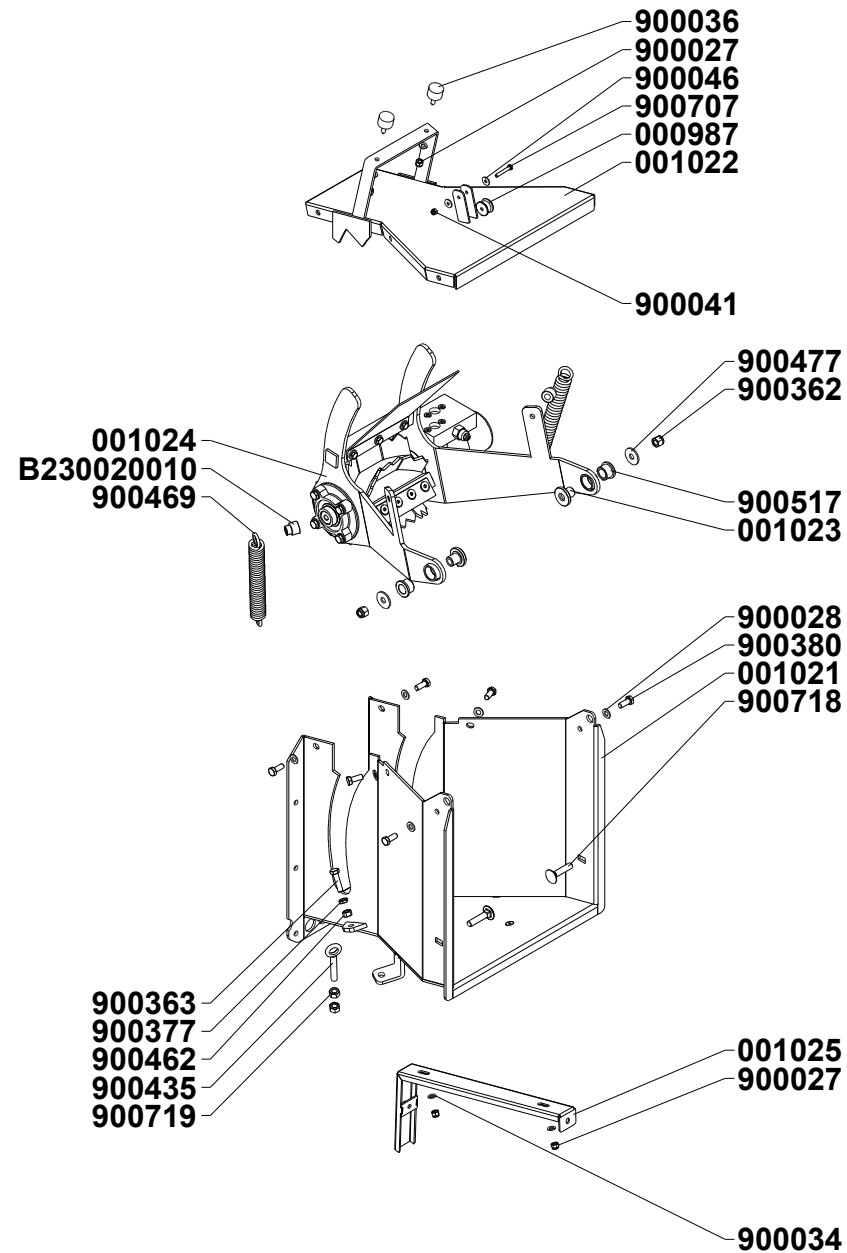
**Bio 235 B****TAB. 5 – Hopper Assembly**

Pos.	Description	No.	Code
1	Hopper	1	001017
2	Hopper cover	1	001018
3	Plate	1	001019
4	Handle	1	B23002024
5	Washer $\varnothing$ 10x20	4	900028
6	Self lock nut M10	2	900030
7	Screw TE M10x30	2	900373
8	Washer $\varnothing$ 9x16	22	900034
9	Self lock nut M8	11	900027
10	Screw TE M8x25	5	900333
11	Screw TE M8x20	6	900378
12	Hook	1	001020
13	Elastic support $\varnothing$ 40x20 M8 F	1	B23002026
14	Knob 6E M10x60	1	900211
15	Nut M10	1	900705
16	Protection rubber	1	B23002028



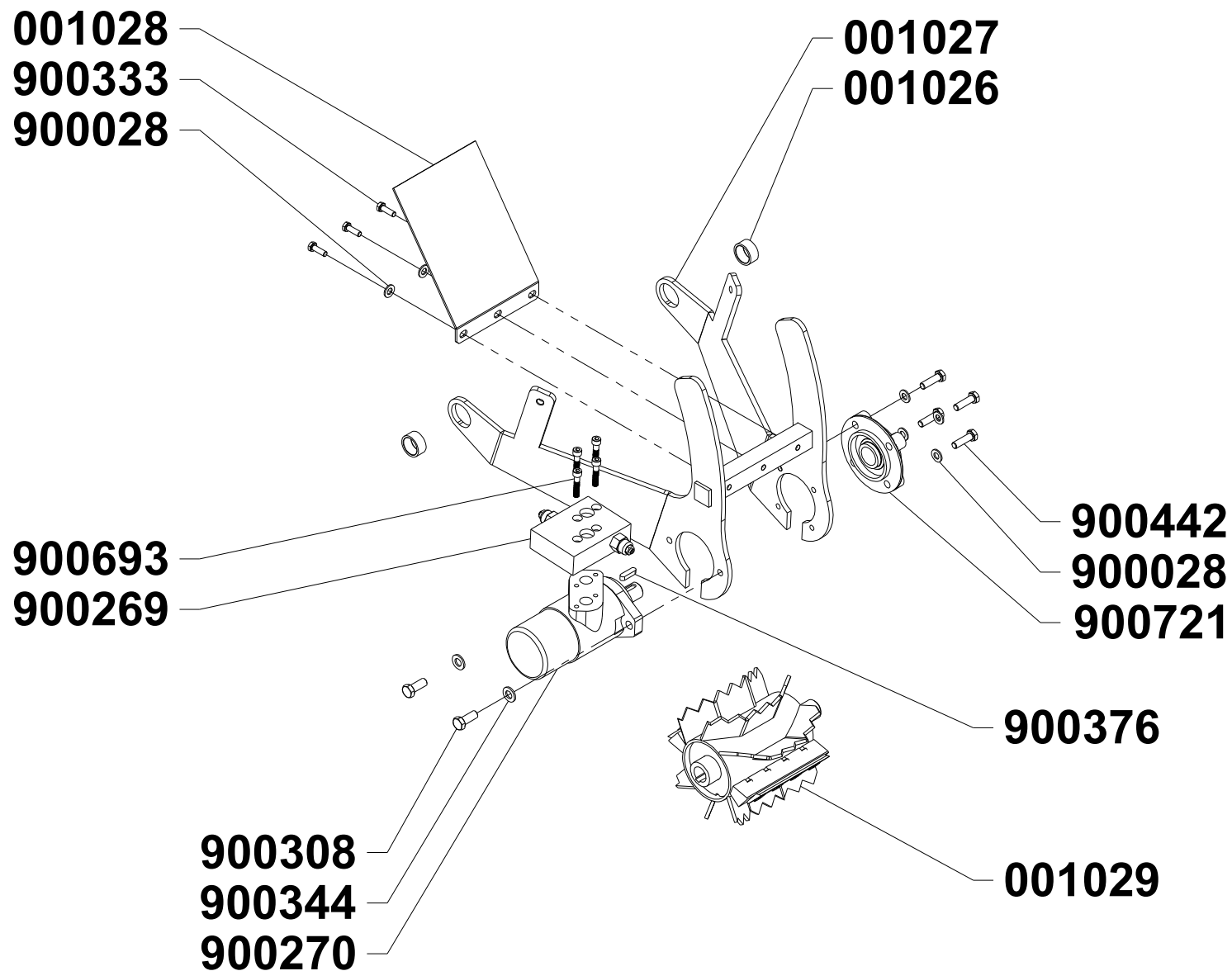
**Bio 235 B****TAB. 6 – Feed roller box Assembly**

Pos.	Description	No.	Code
1	Feed roller box	1	001021
2	Feed roller box cover	1	001022
3	Screw TB M12x55	2	900718
4	Bush	2	001023
5	Bush with collar ø20	2	900517
6	Washer ø12x36	2	900477
7	Self lock nut M12	2	900362
8	Feed roller and frame Assembly (TAB. 7)	1	001024
9	Washer ø10x20	6	900028
10	Screw TE M10x25	6	900380
11	Aluminium pulley	1	000987
12	Washer ø6x18	2	900046
13	Self lock nut M12	1	900041
14	Screw TE M6x40	1	900707
15	Elastic support ø40x20 M8 M	2	900036
16	Washer ø8x16	4	900034
17	Self lock nut M8	4	900027
18	Rod	2	B230020010
19	Spring	2	900469
20	Eyebolt M12	2	900435
21	Nut M12	4	520004012
22	Screw TE M10x40	2	900363
23	Switch lever	1	001025
24	Nut M10 (high)	2	900462
25	Nut M10 (low)	2	900377



**Bio 235 B****TAB. 7 – Feed roller and frame**

Pos.	Description	No.	Code
1	Feed roller frame	1	001027
2	Feed roller cover	1	001028
3	Washer $\varnothing$ 10x20	7	900028
4	Screw TE M8x25	3	900333
5	Bush ring	2	001026
6	Bearing UCFC 206	1	900721
7	Screw TE M10x35	4	900442
8	Feed roller with blades (TAB. 8)	1	001029
9	Hydraulic motor OP 400	1	900270
10	Washer $\varnothing$ 12x24	2	900344
11	Screw TE M12x30	2	900308
12	Key 8x7x30	1	900376
13	Hydraulic valve	1	900269
14	Screw TCEI M8x40	4	900693



**Bio 235 B**

**TAB. 8 – Feed roller with blades**



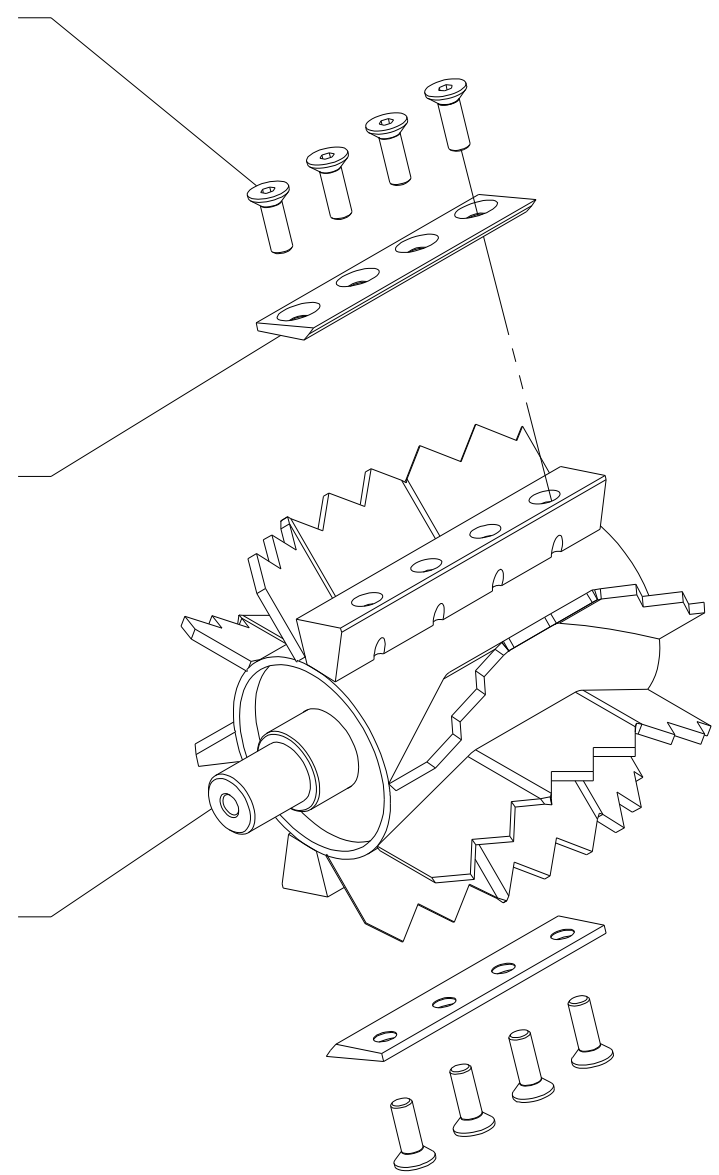
Pos.	Description	No.	Code
1	Blade	2	00042
2	Screw TSPEI M10x30	8	900473
3	Feed roller Assembly	1	001030



**900473**

**000042**

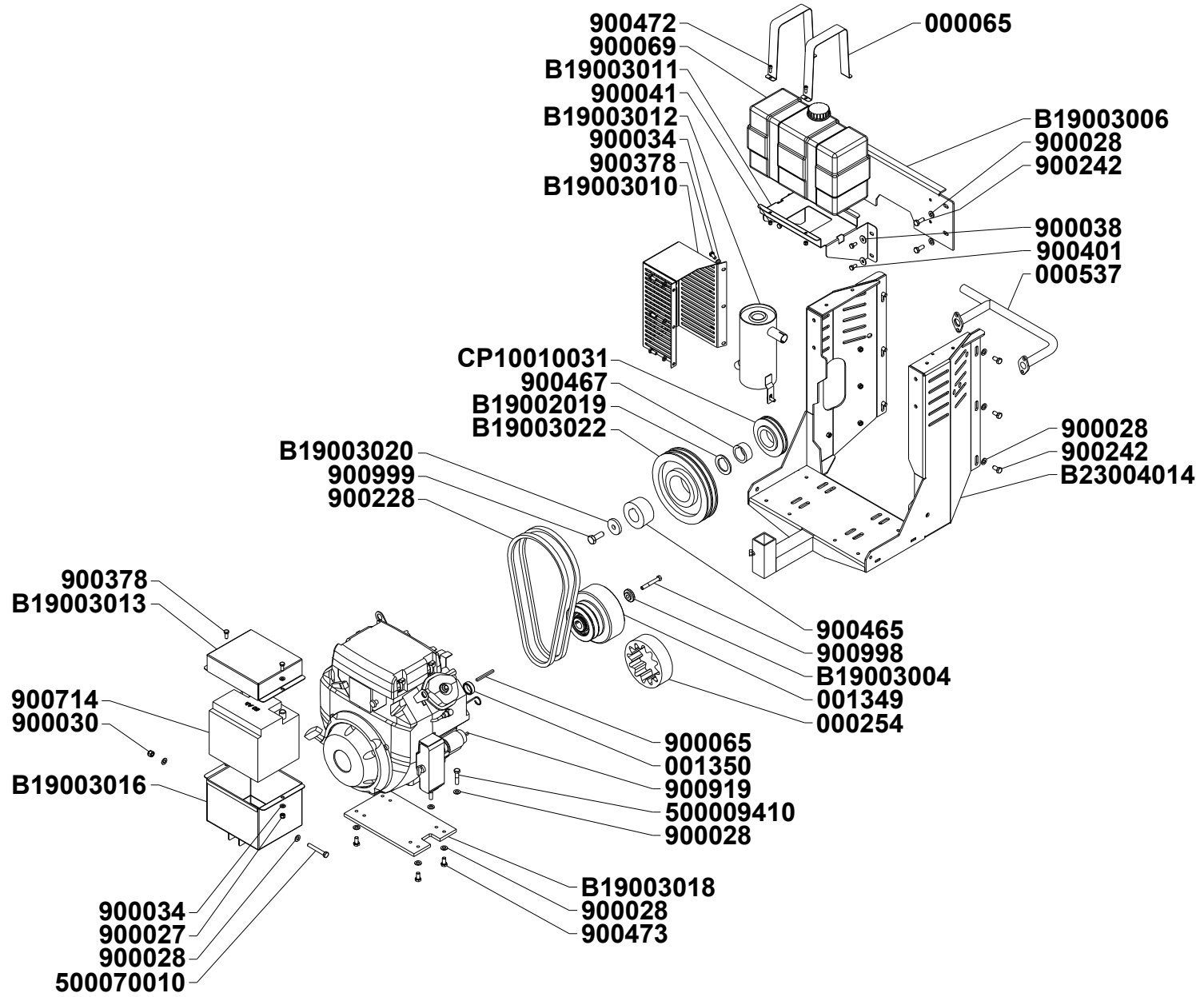
**001030**



**Bio 235 B****TAB. 9 – Engine and transmission Assembly**

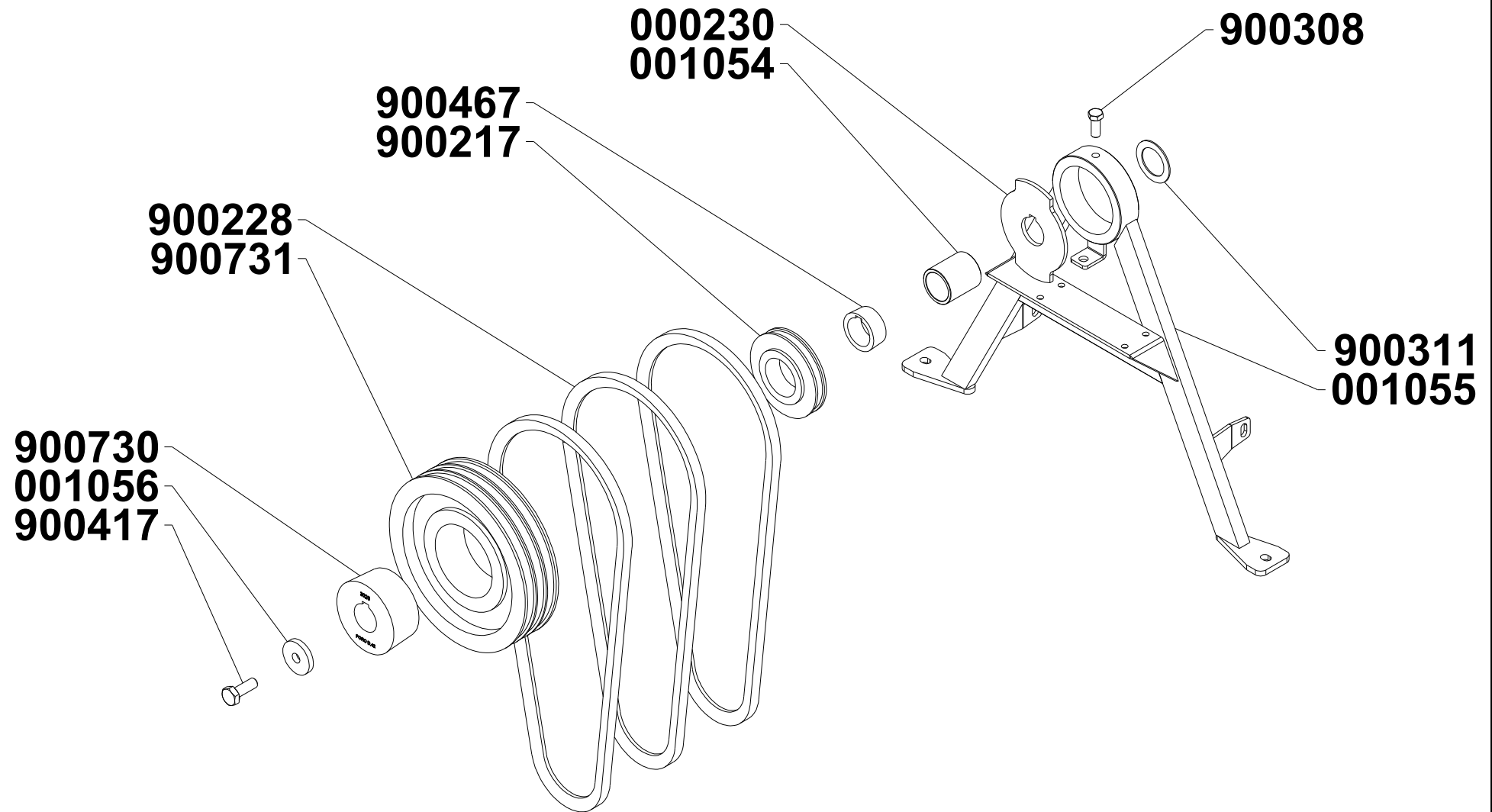
Pos.	Description	No.	Code
1	Screw TE M10x70	1	500070010
2	Washer ø10x20	20	900028
3	Self lock nut M8	2	900027
4	Washer ø8x16	11	900034
5	Battery box	1	B19003016
6	Battery 50 A	1	900714
7	Battery cover	1	B19003013
8	Screw TE M8x20	7	900378
9	Self lock nut M10	1	900030
10	Screw TSPEI M10x30	4	900473
11	Engine plate	1	B19003018
12	Screw TE M10x40	4	500009410
13	Engine Honda GX 690	1	900919
14	Engine spacer	1	001350
15	Engine key	1	900065
16	Clutch rubber ø155	1	000254
17	Centrifugal clutch 2B 155 ø1" ¼ GX 690	1	001349
18	Retainer washer	1	B19003004
19	Screw TE 7/16" UNF	1	900998
20	Bush 2517 ø42	1	900465
21	Engine support	1	B23004014
22	Screw TE M10x20	10	900242
23	Muffler collector	1	000537
24	Screw TE M8x16	4	900401
25	Washer ø8x24	4	900038
26	Front cover	1	B19003006
27	Tank bracket	2	000065
28	Muffler protection	1	B19003010
29	Muffler	1	B19003012
30	Self-lock nut M6	4	900041
31	Tank support	1	B19003011
32	Petrol tank	1	900069
33	Screw TCEI M6x16	4	900472
34	Pulley 1 SPA 118	1	CP10010031
35	Bush 1610 ø42	1	900467
36	Spacer 2 mm	1	B19002019
37	Pulley 2 SPB 224	1	B19003022
38	Retainer washer ø50x15x8	1	B19003020

Pos.	Description	No.	Code
39	Screw TE M14x35	1	900999
40	Belt B-41	2	900228



**Bio 235 B****TAB. 10 – Transmission shaft Assembly**

Pos.	Description	No.	Code
1	Transmission support	1	001055
2	Counter revs disk	1	000230
3	Spacer	1	001054
4	Bush 1610 ø42	1	900467
5	Pulley 1 SPA 118	1	900217
6	Bush 3020 ø42	1	900730
7	Pulley 3 SPA 250	1	900731
8	Lock washer ø50x15x8	1	001056
9	Belt B-41	3	900228
10	Screw TE M14x40	1	900417
11	Screw TE M12x30	1	900308
12	Spacer ø52x42x2	1	900311

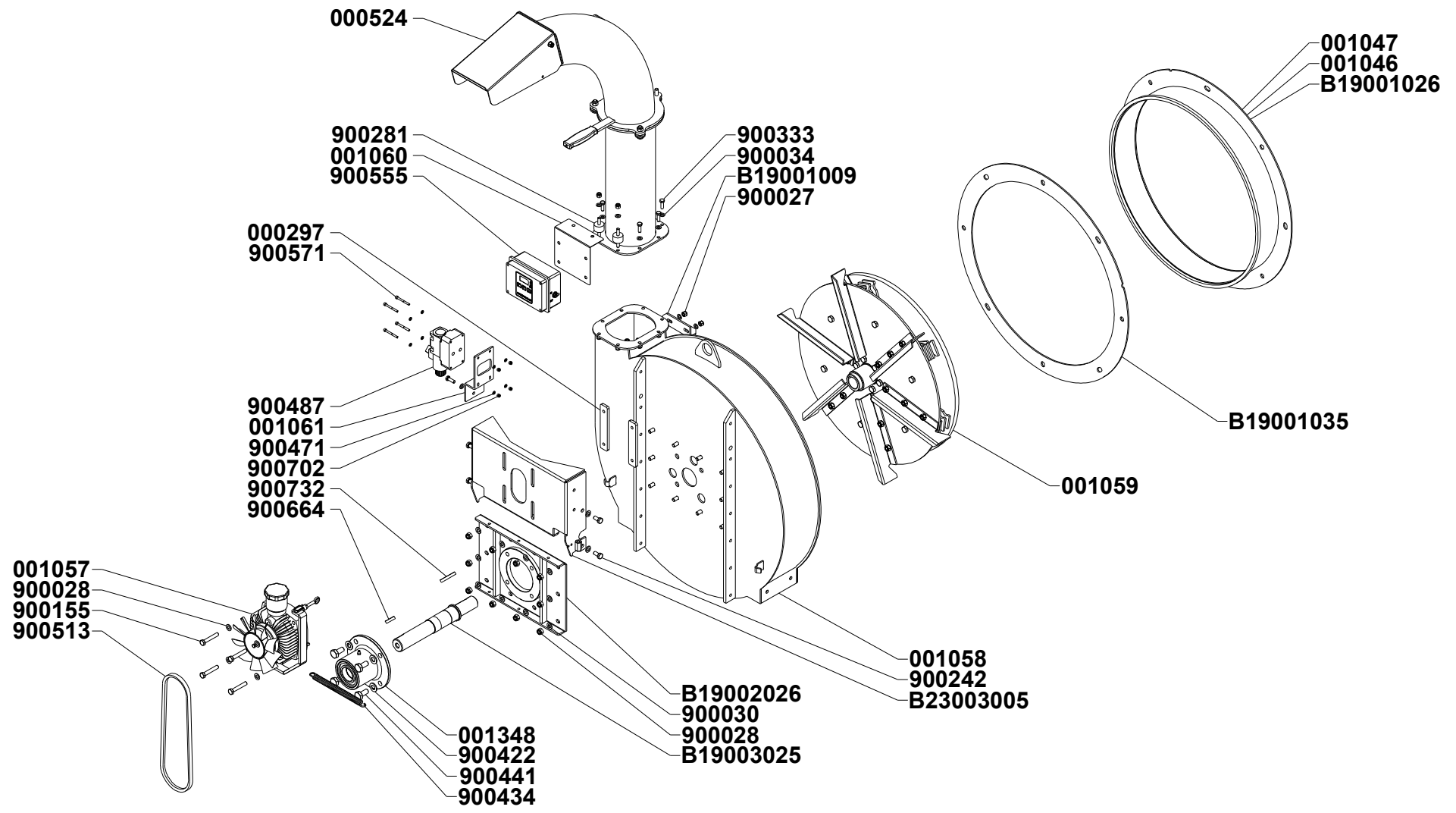


# Bio 235 B TAB. 11 – Chipper box Assembly



Pos.	Description	No.	Code
1	Chipper box	1	001058
2	Exhaust pipe Assembly (TAB. 15)	1	000524
3	Plate (transmission)	1	B19002026
4	Transmission flange Assembly (TAB. 16)	1	001348
5	Rotor Assembly (TAB. 17)	1	001059
6	Washer ø14x28	4	900422
7	Screw TE M14x30	4	900441
8	Washer ø10x20	18	900028
9	Self lock nut M10	10	900030
10	Pump support	1	B23003005
11	Pump Assembly (TAB. 18)	1	001057
12	Plate (pump)	2	000297
13	Screw TE M10x20	4	900242
14	Screw TE M10x60	4	900155
15	Belt SPA-36	1	900513
16	Elastic support ø40x20 2 M8 M*	2	900281
17	Washer ø8x16	20	900034
18	Screw TE M8x25	7	900333
19	Self lock nut M8	14	900027
20	No-stress support plate*	1	001060
21	No-stress Plus*	1	900555
22	Transmission shaft	1	B19003025
23	Key 18x8x60	1	900732
24	Solenoid support plate*	1	001061
25	Solenoid*	1	900487
26	Washer ø5x10*	8	900471
27	Screw TCEI M5x50*	4	900571
28	Self lock nut M5*	4	900702
29	Hinge	1	B19001009
30	Standard screen*	1	B19001026
30a	Intermediate screen*	1	001146
30b	Fine screen*	1	001147
31	Spring	1	900434
32	Key 12x8x35	1	900664
33	Ring	1	B19001035

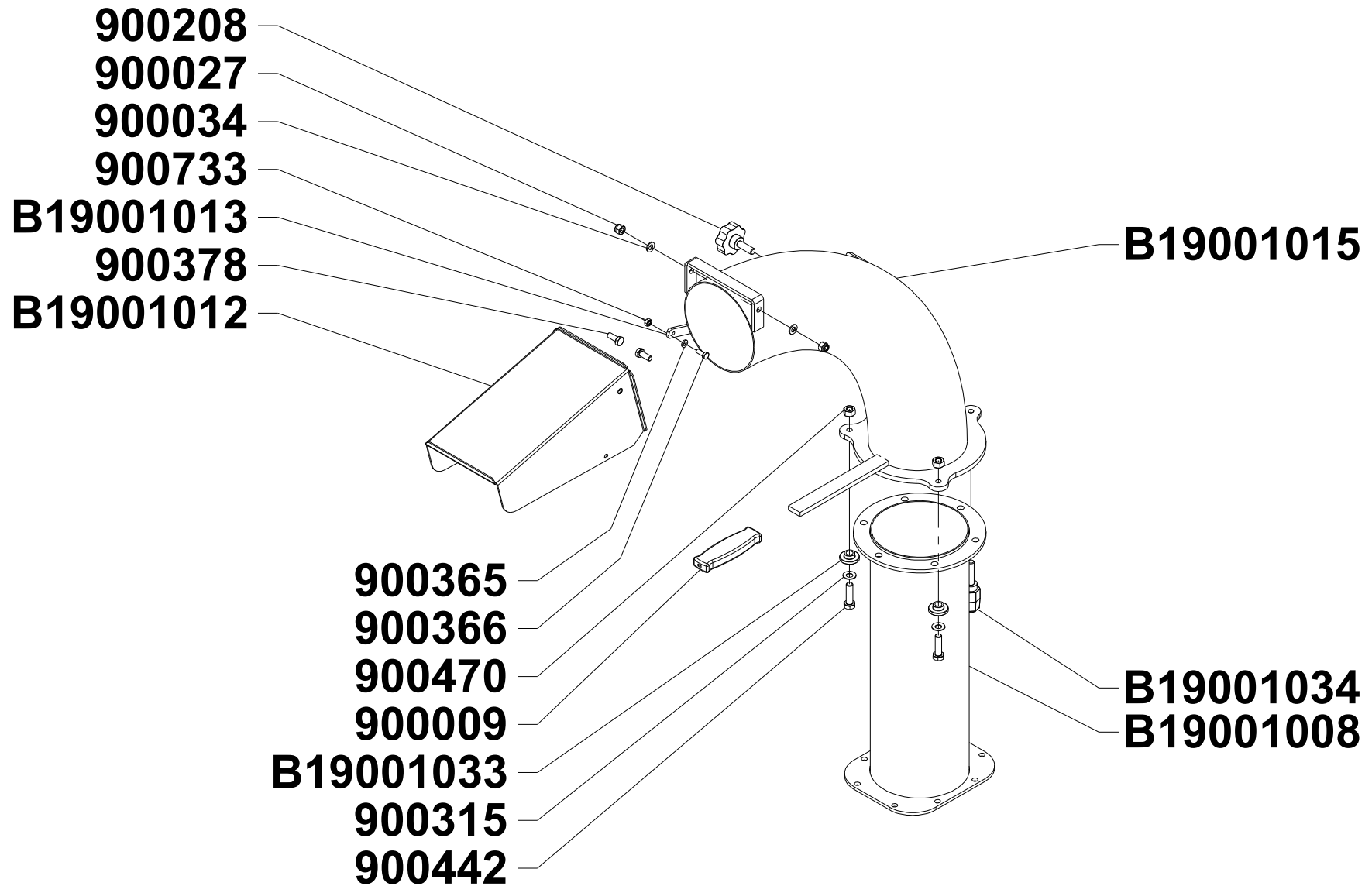
\*Optional item



**Bio 235 B****TAB. 12 – Exhaust pipe**

Pos.	Description	No.	Code
1	Curve pipe	1	B19001015
2	Straight pipe	1	B19001008
3	Lock	3	B19001033
4	Screw TE M10x35	2	900442
5	Elastic washer $\varnothing$ 10	2	900315
6	High nut M10	2	900470
7	Knob 6E M10x30	1	900208
8	Hand grip M10 M	1	B19001034
9	Lever	1	B19001013
10	Output casing	1	B19001012
11	Screw TE M8x20	2	900378
12	Washer $\varnothing$ 8x16	2	900034
13	Self lock nut M8	2	900027
14	Washer $\varnothing$ 6x12	1	900365
15	Screw TE M6x16	1	900366
16	High nut M6	1	900733
17	Knob 25x8	1	900009



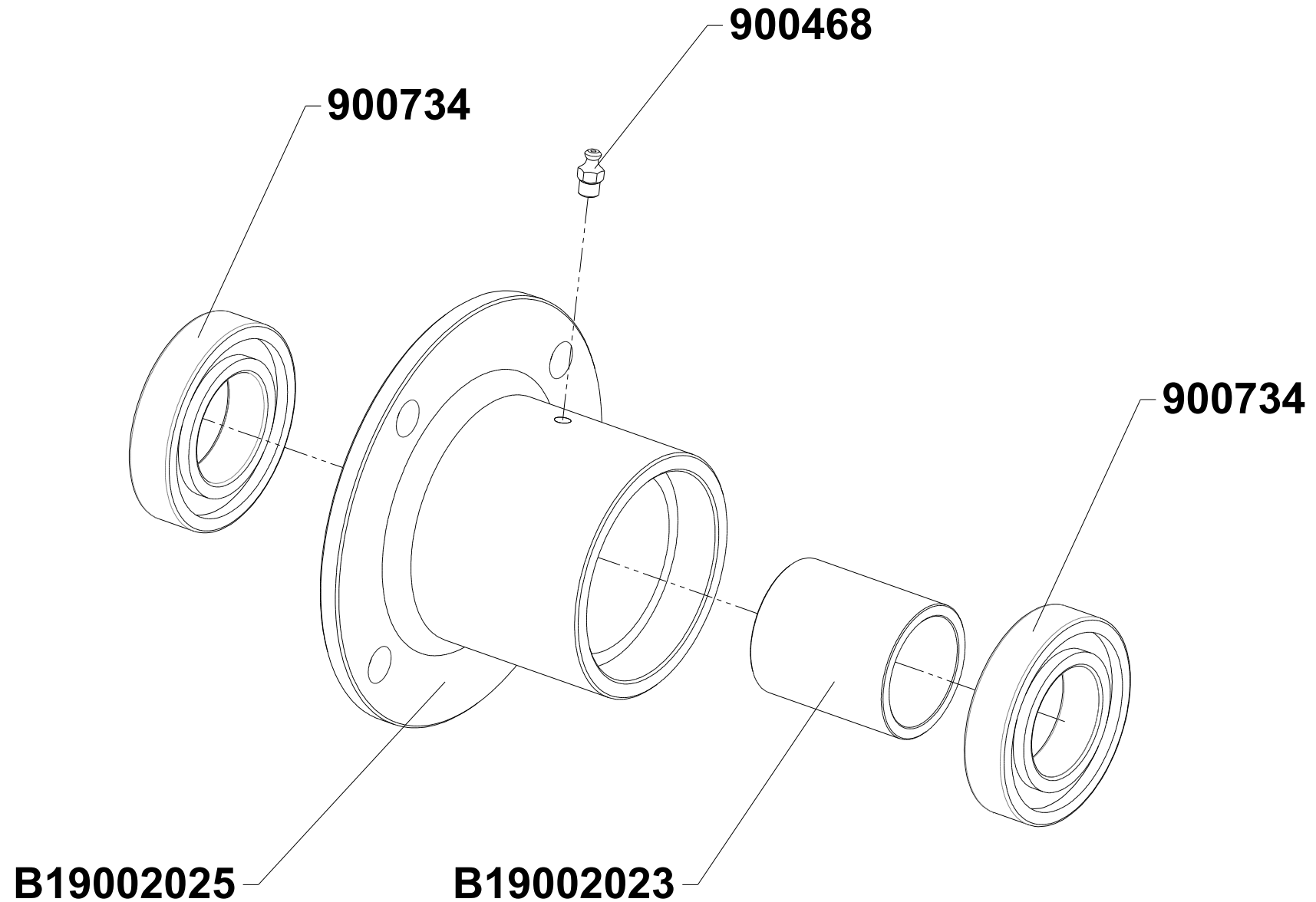


**Bio 235 B**

**TAB. 13a – Transmission flange (Standard)**



Pos.	Description	No.	Code
1	Transmission flange	1	B19002025
2	Spacer H=64	1	B19002023
3	Bearing 6209 2RS	2	900734
4	Greaser M8x1	1	900468



**Bio 235 B**

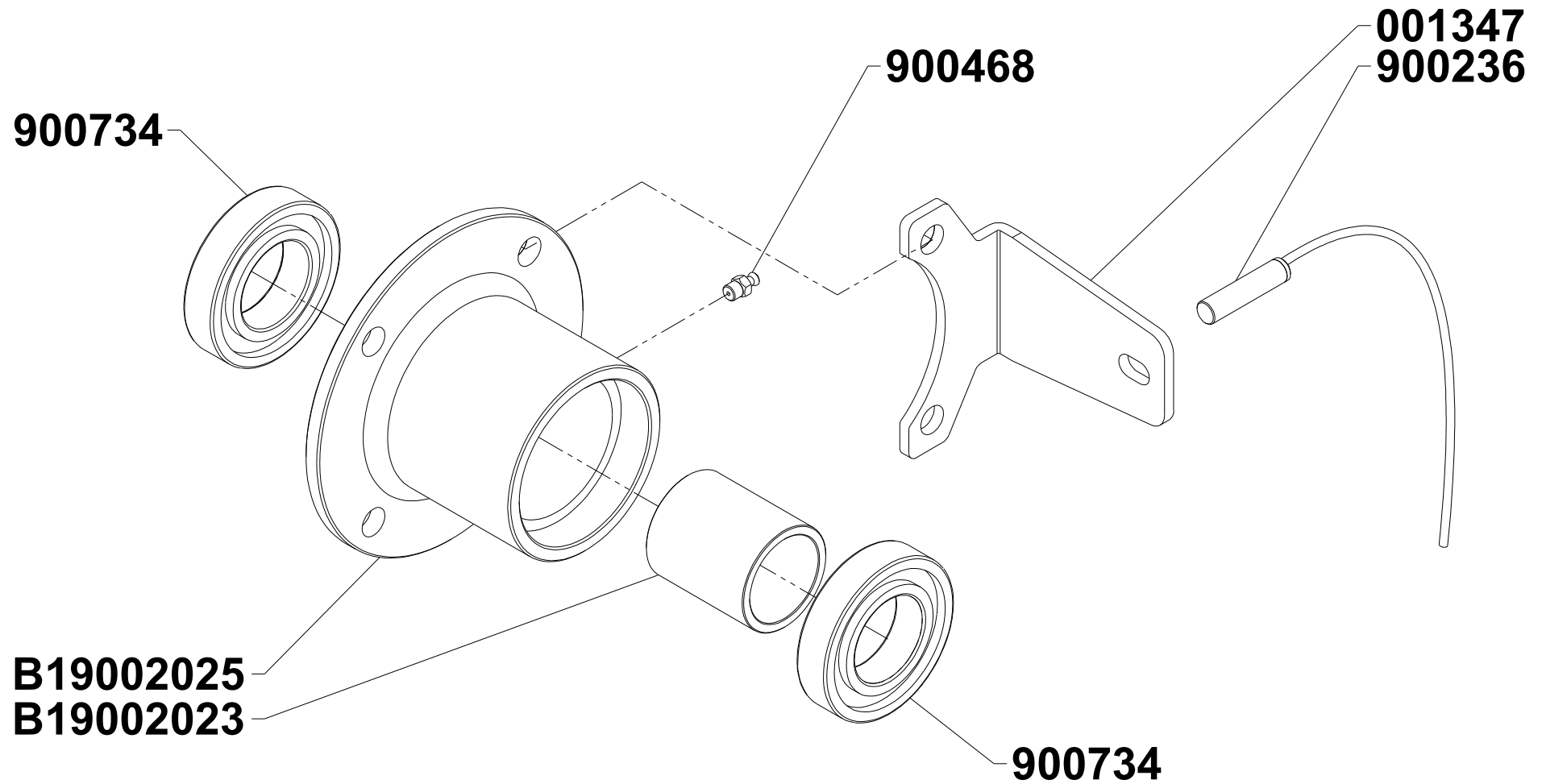
**TAB. 13b – Transmission flange (No-stress)**



Pos.	Description	No.	Code
1	Transmission flange	1	B19002025
2	Spacer H=64	1	B19002023
3	Bearing 6209 2RS	2	900734
4	Greaser M8x1	1	900468
5	Support sensor	1	001347
6	No-stress sensor	1	900236

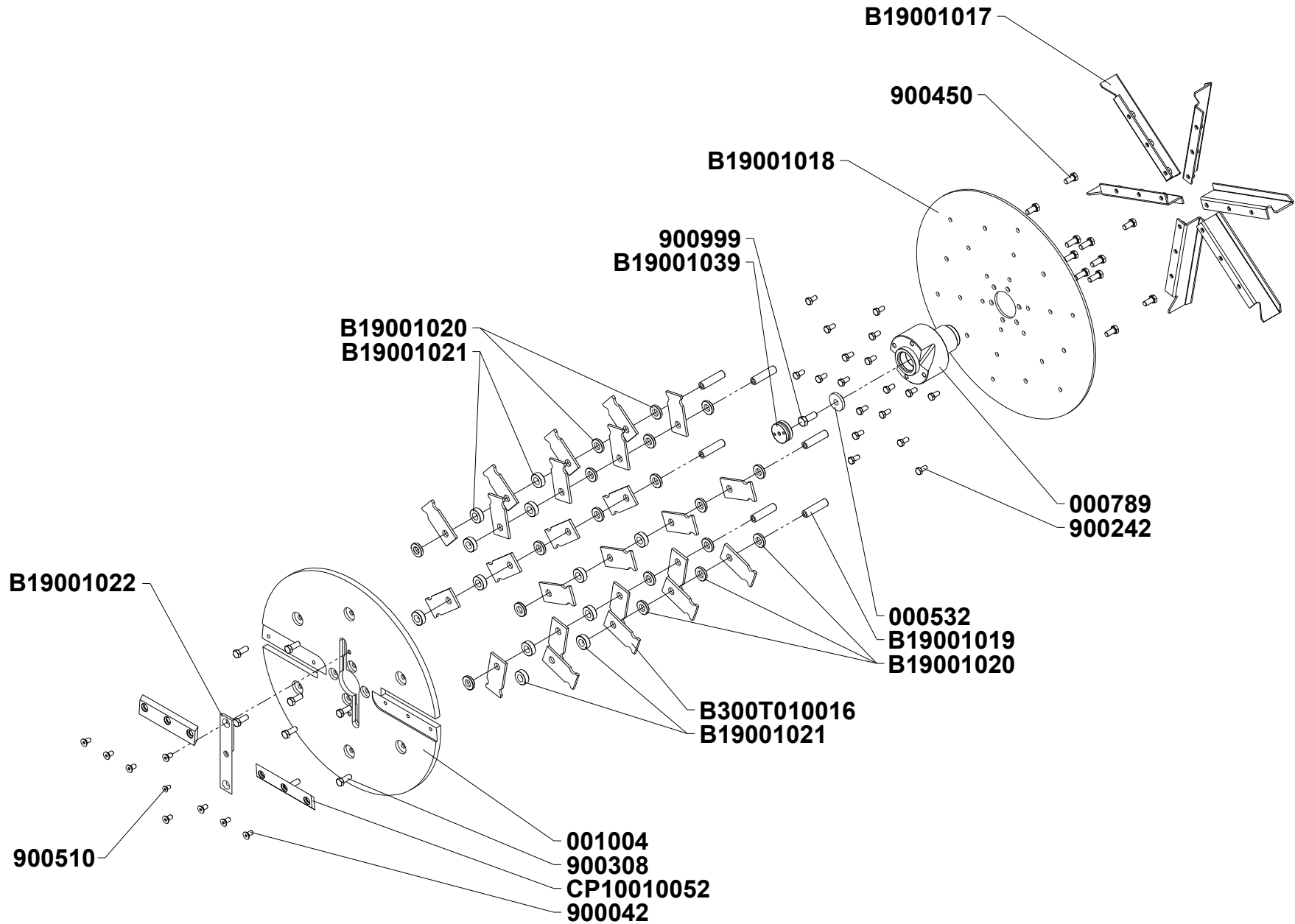
Bio 235 B

TAB. 13b – Transmission flange (No-stress)



**Bio 235 B****TAB. 14 – Rotor Assembly**

Pos.	Description	No.	Code
1	Chipper disk (front)	1	001004
2	Chipper disk (rear)	1	B19001018
3	Aluminium plug	1	B19001039
4	Reinforced hub	1	000789
5	Central chipper blade	1	B19001022
6	Side chipper blade	2	CP10010052
7	Screw TSPEI M10x20	8	900042
8	Screw TSPEI M8x20	1	900510
9	Screw TE M12x30	14	900308
10	Rod	6	B19001019
11	Screw TE M10x20	18	900242
12	Paddle	6	B19001017
13	Screw TE M12x25	6	900450
14	Spacer H=12	12	B19001021
15	Spacer H=6	18	B19001020
16	Hammer 6 mm	24	B300T010016
17	Hub lock	1	000532
18	Screw TE M14X35	1	900999



**Bio 235 B****TAB. 15 – Pump Assembly**

Pos.	Description	No.	Code
1	Oil tank	1	900075
2	Pump	1	900093
3	Spacer	1	000295
4	Pulley 1A 95	1	900735
5	Bush 1610 ø17	1	900736
6	Lever	1	B23003009
7	Washer ø10x20	1	900028
8	Self lock nut M10	1	900030
9	Pump fan	1	900255
10	Fan disk	1	000294
11	Screw UNF	1	900273



